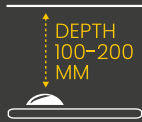


TELELINE

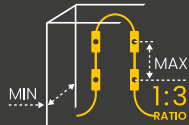
Light-emitting diode module Teleline T4 4,0W



DESIGNED FOR
BACKLIGHT LIGHTBOXES



BEST FOR 100-200MM
DEEP LIGHTBOXES



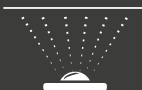
RECOMMENDED DEPTH:
C-C DISTANCE RATIO



4W
HIGH POWER FOR
EXTRA BRIGHTNESS



IP67
DUST AND WATER
PROTECTED



380lm
HIGH BRIGHTNESS
380 LM PER MODULE



6500 K
AND OTHER COLORS



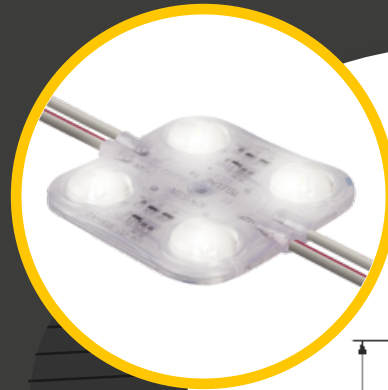
5 YEAR EXTENDED
WARRANTY

TECHNICAL INFORMATION

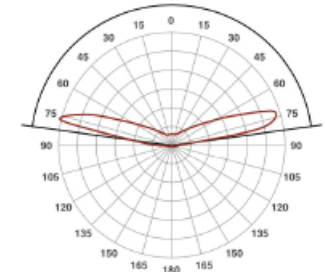
LED type	3030
Input	12V DC
Color temperature	6500 K
Beam angle	175°
Protection level	IP 67
Center-to-center distance	500 mm
Working temperature	-30°C + 50°C
Available colors	●
Power	4 W
Light output	380 lm

ILLUMINATION TABLE

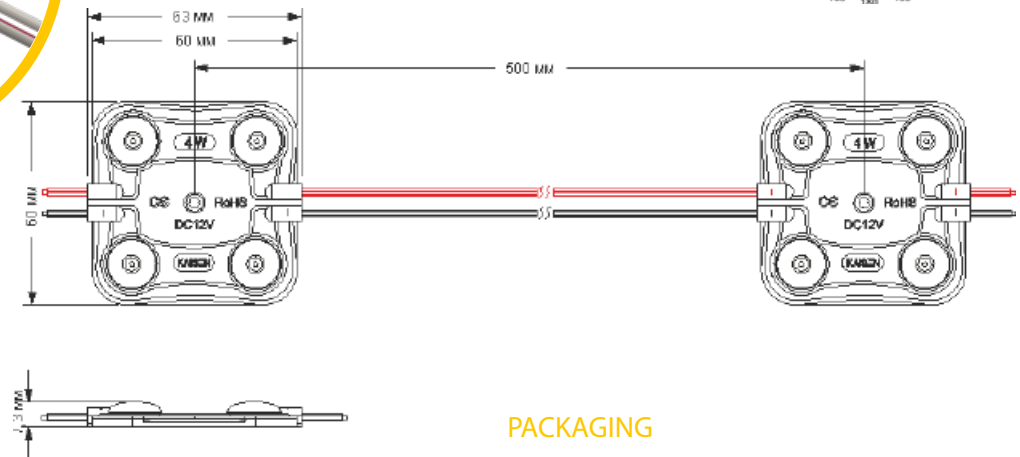
Installation depth	Distance between centers	Quantity per 1 sq.m.	Power per 1 sq.m.
100 mm	300 mm	12 pcs	48 W
120 mm	360 mm	9 pcs	36 W
140 mm	420 mm	9 pcs	36 W
150 mm	450 mm	9 pcs	36 W



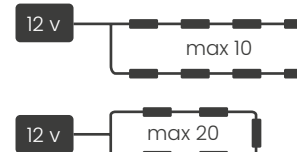
LIGHT DISTRIBUTION GRAPH Beam angle is 175°



DIMENSIONS



CONNECTION



PACKAGING

Packing type	Chain	Package	Box
Quantity	10 pcs	50 pcs	400 pcs
Weight	0,5 kg	2,5 kg	20,3 kg