

# PRISM

Light-emitting diode module

## Prism P1 HE 0,5W

### TECHNICAL INFORMATION

LED type	2835
Input	12V DC
Color temperature	3000/4000/6500 K
Beam angle	165°
Protection level	IP 67
Center-to-center distance	160 mm
Working temperature	-30°C + 50°C
Available colors	<span style="color: red;">●</span> <span style="color: blue;">●</span> <span style="color: white;">●</span>
Power	<b>0,5 W 0,5 W 0,5 W</b>
Light output	<b>9 lm 5 lm 60 lm</b>

**FOR CHANNEL LETTERS**

MODULE DESIGNED FOR CHANNEL LETTERS

**DEPTH 60-100 MM**

BEST FOR 60-100MM DEEP LIGHTBOXES

**1:1,8 RATIO**

RECOMMENDED DEPTH: C-C DISTANCE RATIO

**UP TO 120LM/W**

HIGH EFFICIENCY LED INSIDE

**IP67**

DUST AND WATER PROTECTED

**60 lm**

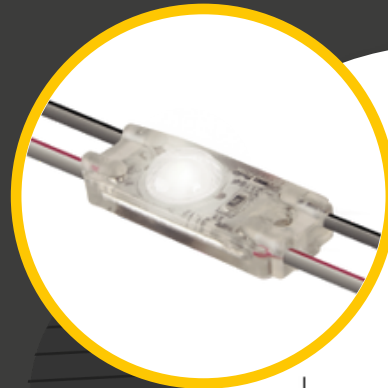
HIGH BRIGHTNESS 60 LM PER MODULE

**6500 K**

6500 K AND OTHER COLORS

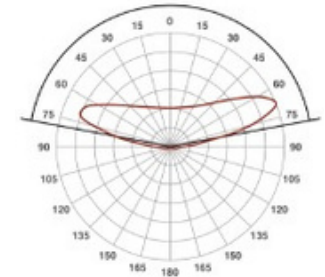
**5 YEARS WARRANTY**

5 YEAR EXTENDED WARRANTY

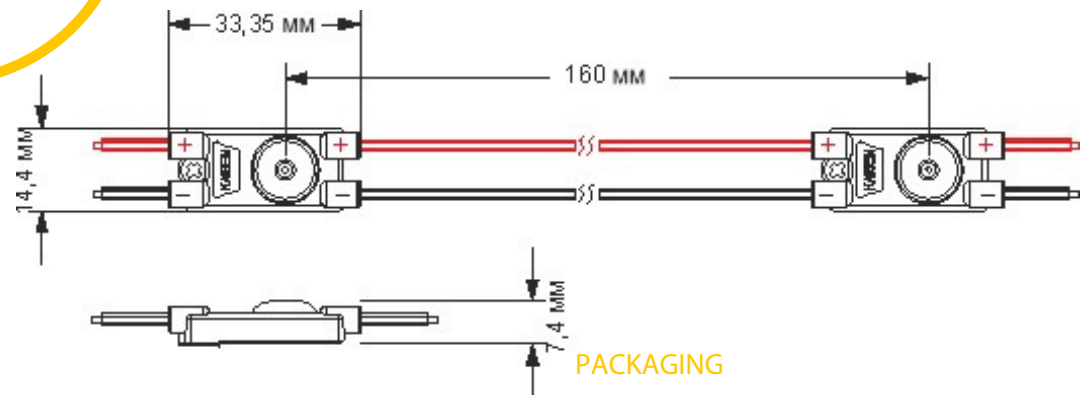


### LIGHT DISTRIBUTION GRAPH

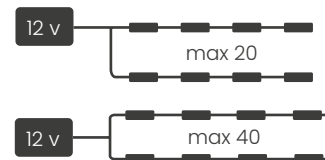
Beam angle is 165°



### DIMENSIONS



### CONNECTION



### PACKAGING

Packing type	Chain	Package	Box
Quantity	20 pcs	200 pcs	3200 pcs
Weight	0,16 kg	0,8 kg	16 kg