

PRISM

Light-emitting diode module

Prism P4 HE 2W

TECHNICAL INFORMATION

LED type	2835
Input	12/24V DC
Color temperature	6500 K
Beam angle	165°
Protection level	IP 67
Center-to-center distance	340 mm
Working temperature	-30°C + 50°C
Available colors	●
Power	2 W
Light output	230 lm

FOR CHANNEL LETTERS

MODULE DESIGNED FOR CHANNEL LETTERS

DEPTH 150-250 MM

BEST FOR 150-250MM DEEP LIGHTBOXES

RECOMMENDED DEPTH: C-C DISTANCE RATIO

UP TO 120LM/W

HIGH EFFICIENCY LED INSIDE

IP67

DUST AND WATER PROTECTED

230 lm

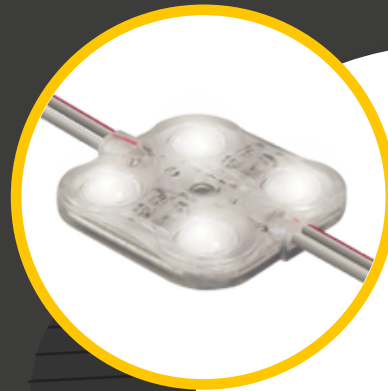
HIGH BRIGHTNESS 230 LM PER MODULE

6500 K

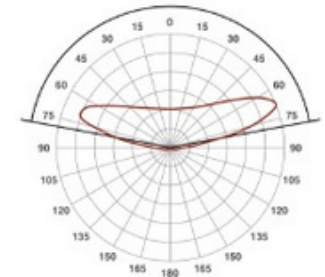
6500 K AND OTHER COLORS

5 YEARS WARRANTY

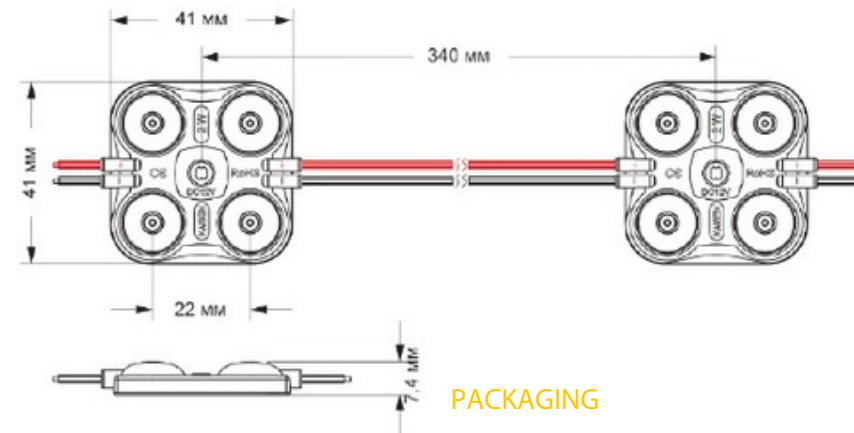
5 YEAR EXTENDED WARRANTY



LIGHT DISTRIBUTION GRAPH
Beam angle is 165°



DIMENSIONS



CONNECTION



PACKAGING

Packing type	Chain	Package	Box
Quantity	20 pcs	100 pcs	1200 pcs
Weight	0,16 kg	1,6 kg	21,8 kg