

# Channel Letter LED Module



## H-LED 359 MX

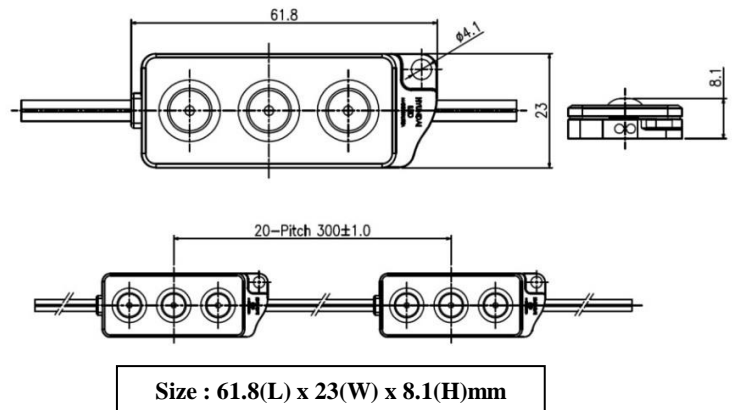
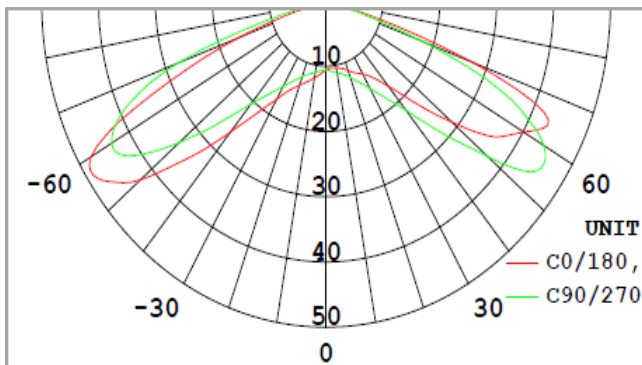
**MaXimum Wide  
Beam Angle 165°**

*H-LED 359 MX is the best and cost effective LED lighting Solution  
For Box sign applications.*

*115lm/W, Widest Beam Angle 165°*



- Widest Beam Angle 165°**
- High Efficacy 115 lm/W**
- Long Life Time 50,000Hrs**
- Lower Input Volt. 24VDC**
- Outdoor Protection IP67**
- Long Warranty 5YEARS**



Model (Model No.)	Input Vol.	Power Con.	CCT	Beam angle	CRI	Lum. Flux	Lum. Efficacy	Module No. per a pack
H-LED 359 MX 6500K (BFL359-DW24-MX)	24VDC	1.6	6500K	165°	Ra80	185 lm	115 lm/W	20modules (6m) Module pitch 300mm

Operating Temp. : -20°C ~ +50°C