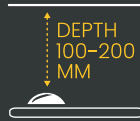


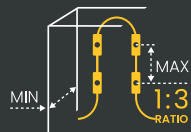
## Light-emitting diode module Teleline T4 4,0W



DESIGNED FOR  
BACKLIGHT LIGHTBOXES



BEST FOR 100-200MM  
DEEP LIGHTBOXES



RECOMMENDED DEPTH:  
C-C DISTANCE RATIO



HIGH POWER FOR  
EXTRA BRIGHTNESS



DUST AND WATER  
PROTECTED



HIGH BRIGHTNESS  
380 LM PER MODULE



6500 K  
AND OTHER COLORS



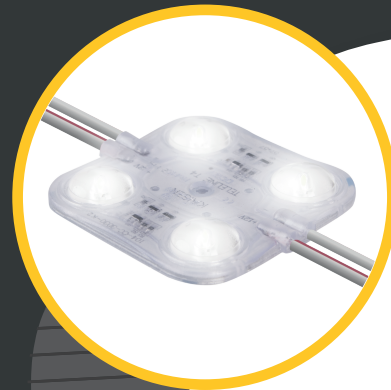
7 YEAR EXTENDED  
WARRANTY

### TECHNICAL INFORMATION

LED type	3030
Input	12V DC
Color temperature	3000K/6500K/10000K
Beam angle	175°
Protection level	IP 67
Center-to-center distance	500 mm
Working temperature	-30°C + 50°C
Available colors	●
Power	<b>4 W</b>
Light output	<b>380 lm</b>

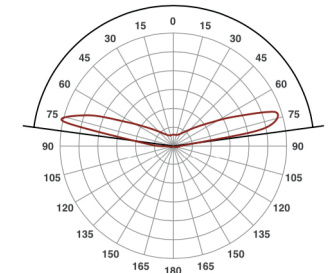
### ILLUMINATION TABLE

Installation depth	Distance between centers	Quantity per 1 sq.m.	Power per 1 sq.m.
100 mm	300 mm	12 pcs	48 W
120 mm	360 mm	9 pcs	36 W
140 mm	420 mm	9 pcs	36 W
150 mm	450 mm	9 pcs	36 W

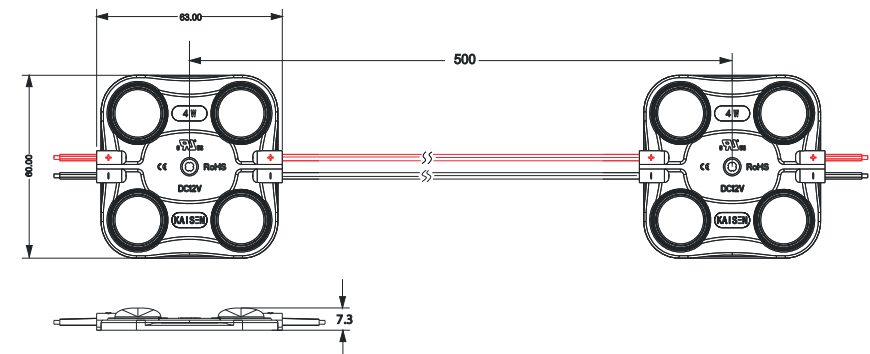


### LIGHT DISTRIBUTION GRAPH

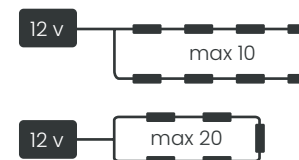
Beam angle is 175°



### DIMENSIONS



### CONNECTION



### PACKAGING

Packing type	Chain	Package	Box
Quantity	10 pcs	50 pcs	400 pcs
Weight	0,5 kg	2,5 kg	20,3 kg

